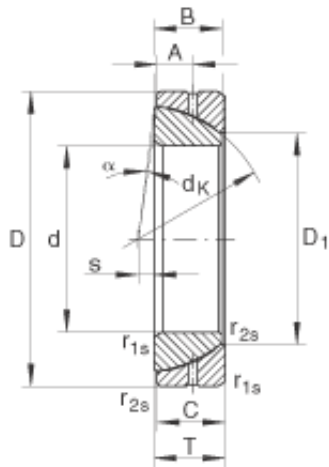




NTK BEARING CORP. OF CANADA LTD.



GE60-SX Bearing 2D drawings and 3D CAD models

INA GE60-SX Spherical Plain Bearings

Bearing No. GE60-SX

Size	60x95x22 mm
Bore Diameter	60 mm
Outer Diameter	95 mm
Width	22 mm
T	23 mm
A	11,5 mm
C	22 mm
D ₁	68,1 mm
D _{a min}	76 mm
d _{a max}	66,9 mm
d _{b max}	77 mm
d _k	86 mm
D _{b min}	87 mm
r _{1s min}	1,5 mm
r _{2s min}	0,6 mm
s	5 mm
alf (°)	1,3
Weight (kg)	0,73
C _r (N)	161000
C _{0r} (N)	805000
Category	Spherical Plain Bearings - Thrust
Inventory	0.0
Manufacturer Name	SCHAEFFLER GROUP
Minimum Buy Quantity	N/A



NTK BEARING CORP.OF CANADA LTD.

Weight / Kilogram	0.874
EAN	4012802547313
Product Group	B04264
Rolling Element	Spherical Plain
Self Aligning	Yes
Material - Outer Member	Steel
Material - Ball	Steel
Material - Liner	Not Applicable
Enclosure	Open
Relubricatable	Yes
Other Features	Angular Contact Single Direction
Long Description	60MM Bore; 95MM Housing Outside Diameter; 23MM Overall Width; Spherical Plain; Self Aligning; Steel Outer Member; Steel Ball; No Liner; 87MM Ball Outside Diam; 22MM Housing Width; Relubricatable
Inch - Metric	Metric
Category	Plain Bearings Spherical Thrust
UNSPSC	31171515
Harmonized Tariff Code	8483.30.80.70
Noun	Bearing
Keyword 3	Spherical
Keyword String	Plain Thrust Spherical
Manufacturer URL	http://www.ina.com
Manufacturer Item Number	GE60SX
Weight / LBS	1.588
Overall Width	0.906 Inch 23 Millimeter
Bore	2.362 Inch 60 Millimeter
Housing Outside Diameter	3.74 Inch 95 Millimeter



NTK BEARING CORP. OF CANADA LTD.

Housing Width	0.866 Inch 22 Millimeter
Ball Outside Diameter	3.425 Inch 87 Millimeter