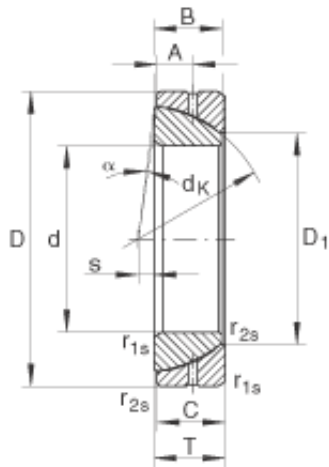




NTK BEARING CORP. OF CANADA LTD.



GE110-SX Bearing 2D drawings and 3D CAD models

INA GE110-SX Spherical Plain Bearings

Bearing No. GE110-SX

Size	110x170x36 mm
Bore Diameter	110 mm
Outer Diameter	170 mm
Width	36 mm
T	38 mm
A	19 mm
C	36 mm
D ₁	125,8 mm
D _{a min}	135 mm
d _{a max}	123,2 mm
d _{b max}	146 mm
d _k	160 mm
D _{b min}	162 mm
r _{1s min}	2,5 mm
r _{2s min}	0,6 mm
s	15 mm
alf (°)	1,5
Weight (kg)	3,9
C _r (N)	469000
C _{0r} (N)	2340000
Category	Spherical Plain Bearings - Thrust
Inventory	0.0
Manufacturer Name	SCHAEFFLER GROUP
Minimum Buy Quantity	N/A



NTK BEARING CORP.OF CANADA LTD.

Weight / Kilogram	4.674
EAN	4012802038064
Product Group	B04264
Rolling Element	Spherical Plain
Self Aligning	Yes
Material - Outer Member	Steel
Material - Ball	Steel
Material - Liner	Not Applicable
Enclosure	Open
Relubricatable	Yes
Other Features	Angular Contact Single Direction
Long Description	110MM Bore; 170MM Housing Outside Diameter; 38MM Overall Width; Spherical Plain; Self Aligning; Steel Outer Member; Steel Ball; No Liner; 162MM Ball Outside Diam; 36MM Housing Width; Relubricatable
Inch - Metric	Metric
Category	Plain Bearings Spherical Thrust
UNSPSC	31171515
Harmonized Tariff Code	8483.30.80.70
Noun	Bearing
Keyword 3	Spherical
Keyword String	Plain Thrust Spherical
Manufacturer URL	http://www.ina.com
Manufacturer Item Number	GE110SX
Weight / LBS	7.938
Ball Outside Diameter	6.378 Inch 162 Millimeter
Bore	4.331 Inch 110 Millimeter
Housing Width	1.417 Inch 36 Millimeter



NTK BEARING CORP.OF CANADA LTD.

Housing Outside Diameter	6.693 Inch 170 Millimeter
Overall Width	1.496 Inch 38 Millimeter