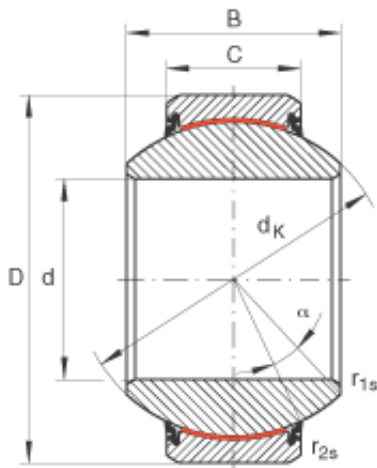




# NTK BEARING CORP. OF CANADA LTD.



## INA GE90-FW-2RS Spherical Plain Bearings

Bearing No. GE90-FW-2RS

GE90-FW-2RS Bearing 2D drawings and 3D CAD models

Size	90x150x85 mm
Bore Diameter	90 mm
Outer Diameter	150 mm
Width	85 mm
C	55 mm
$D_{a \min}$	123 mm
$d_{a \max}$	98,3 mm
$d_K$	130 mm
$r_{1s \min}$	1 mm
$r_{2s \min}$	1 mm
alf ( ° )	15
Weight (kg)	5,3
$C_r$ (N)	1720000
$C_{Or}$ (N)	2860000
Category	Spherical Plain Bearings - Radial
Inventory	0.0
Manufacturer Name	SCHAEFFLER GROUP
Minimum Buy Quantity	N/A
Weight / Kilogram	6.472
EAN	4012802129045
Product Group	B04264
Self Aligning	Yes
Rolling Element	Spherical Plain
Material - Outer Member	Steel
Material - Ball	Steel



## NTK BEARING CORP. OF CANADA LTD.

Material - Liner	Teflon
Relubricatable	No
Enclosure	2 Seals
Other Features	2 Piece   Wide Inner Ring   Larger Tilt Angle
Long Description	90MM Bore; 55MM Housing Width; 150MM Outside Diameter; Spherical Plain; Steel Outer Member; Steel Ball; Teflon Liner; 85MM Overall Width; Not Relubricatable
Inch - Metric	Metric
Category	Plain Bearings Spherical Radial
UNSPSC	31171515
Harmonized Tariff Code	8483.30.80.70
Noun	Bearing
Keyword 3	Spherical
Keyword String	Plain Spherical Radial
Manufacturer URL	<a href="http://www.ina.com">http://www.ina.com</a>
Manufacturer Item Number	GE90FW2RS
Weight / LBS	11.91
Bore	3.543 Inch   90 Millimeter
Outside Diameter	5.906 Inch   150 Millimeter
Overall Width	3.346 Inch   85 Millimeter
Housing Width	2.165 Inch   55 Millimeter