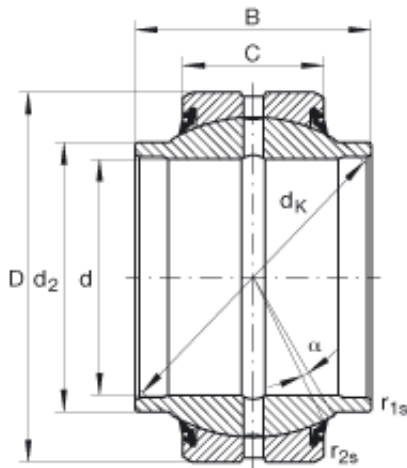




NTK BEARING CORP. OF CANADA LTD.



GE25-HO-2RS Bearing 2D drawings and 3D CAD models

INA GE25-HO-2RS Spherical Plain Bearings

Bearing No. GE25-HO-2RS

Size	25x42x29 mm
Bore Diameter	25 mm
Outer Diameter	42 mm
Width	29 mm
C	16 mm
$D_{a \min}$	33 mm
d_2	29 mm
d_K	35,5 mm
$r_{1s \min}$	0,2 mm
$r_{2s \min}$	0,6 mm
α (°)	3
Weight (kg)	0,12
C_r (N)	48300
C_{Or} (N)	241000
Category	Spherical Plain Bearings - Radial
Inventory	0.0
Manufacturer Name	SCHAEFFLER GROUP
Minimum Buy Quantity	N/A
Weight / Kilogram	0.145
EAN	4012802533439
Product Group	B04264
Self Aligning	Yes
Rolling Element	Spherical Plain
Material - Outer Member	Steel
Material - Ball	Steel



NTK BEARING CORP.OF CANADA LTD.

Material - Liner	Not Applicable
Relubricatable	Yes
Enclosure	2 Seals
Other Features	2 Piece Single Axial Split in Outer Ring Extended Inner Ring for Clevis Mount
Long Description	25MM Bore; 16MM Housing Width; 42MM Outside Diameter; Spherical Plain; Steel Outer Member; Steel Ball; No Liner; 29MM Overall Width; Relubricatable
Inch - Metric	Metric
Category	Plain Bearings Spherical Radial
UNSPSC	31171515
Harmonized Tariff Code	8483.30.80.70
Noun	Bearing
Keyword 3	Spherical
Keyword String	Plain Spherical Radial
Manufacturer URL	http://www.ina.com
Manufacturer Item Number	GE25HO2RS
Weight / LBS	0.221
Housing Width	0.63 Inch 16 Millimeter
Overall Width	1.142 Inch 29 Millimeter
Outside Diameter	1.654 Inch 42 Millimeter
Bore	0.984 Inch 25 Millimeter