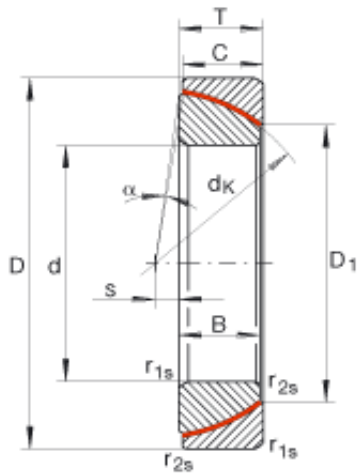




# NTK BEARING CORP. OF CANADA LTD.



GE30-SW Bearing 2D drawings and 3D CAD models

## INA GE30-SW Spherical Plain Bearings

Bearing No. GE30-SW

Size	30x55x16 mm
Bore Diameter	30 mm
Outer Diameter	55 mm
Width	16 mm
T	17 mm
C	16 mm
D <sub>1</sub>	36,1 mm
D <sub>a min</sub>	40,5 mm
d <sub>a max</sub>	34,6 mm
d <sub>b max</sub>	45 mm
d <sub>K</sub>	50 mm
D <sub>b min</sub>	50,5 mm
r <sub>1s min</sub>	0,3 mm
s	2 mm
alf ( ° )	2,3
Weight (kg)	0,21
C <sub>r</sub> (N)	194000
C <sub>0r</sub> (N)	323000
Category	Spherical Plain Bearings - Thrust
Inventory	0.0
Manufacturer Name	SCHAEFFLER GROUP
Minimum Buy Quantity	N/A
Weight / Kilogram	0.251
EAN	4012802532555



## NTK BEARING CORP. OF CANADA LTD.

Product Group	B04264
Rolling Element	Spherical Plain
Self Aligning	Yes
Material - Outer Member	Steel
Material - Ball	Steel
Material - Liner	Teflon
Enclosure	Open
Relubricatable	No
Other Features	Angular Contact   Single Direction
Long Description	30MM Bore; 55MM Housing Outside Diameter; 17MM Overall Width; Spherical Plain; Self Aligning; Steel Outer Member; Steel Ball; Teflon Liner; 50.5MM Ball Outside Diam; 16MM Housing Width; Not Relubricat
Inch - Metric	Metric
Category	Plain Bearings Spherical Thrust
UNSPSC	31171515
Harmonized Tariff Code	8483.30.80.70
Noun	Bearing
Keyword 3	Spherical
Keyword String	Plain Thrust Spherical
Manufacturer URL	<a href="http://www.ina.com">http://www.ina.com</a>
Manufacturer Item Number	GE30SW
Weight / LBS	0.485
Housing Outside Diameter	2.165 Inch   55 Millimeter
Ball Outside Diameter	1.988 Inch   50.5 Millimeter
Housing Width	0.63 Inch   16 Millimeter
Bore	1.181 Inch   30 Millimeter
Overall Width	0.669 Inch   17 Millimeter



# NTK BEARING CORP.OF CANADA LTD.