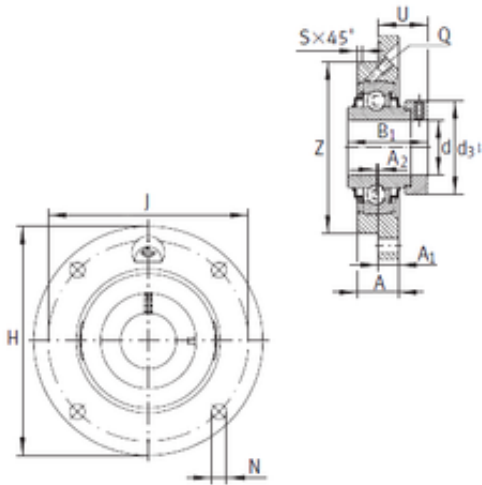




NTK BEARING CORP. OF CANADA LTD.



RME50-N Bearing 2D drawings and 3D CAD models

INA RME50-N Flange-Mount Ball Bearing Units

Bearing No. RME50-N

| | |
|-------------------------------|-----------------------|
| Bore Diameter | 50 mm |
| d | 50 mm |
| U | 37,1 mm |
| Thread (Q) | M8X1 |
| Z | 110 mm |
| d3 | 69 mm |
| A | 25 mm |
| A1 | 13 mm |
| B1 | 62,8 mm |
| H | 165 mm |
| J | 135 mm |
| N | 14 mm |
| S | 3 mm |
| A2 | 1 mm |
| Weight | 2,53 Kg |
| Basic dynamic load rating (C) | 35 kN |
| Category | Flange Block Bearings |
| Inventory | 0.0 |
| Manufacturer Name | SCHAEFFLER GROUP |
| Minimum Buy Quantity | N/A |
| Weight / Kilogram | 3.03 |
| Product Group | M06110 |
| Number of Mounting Holes | 4 |
| Mounting Method | Eccentric Collar |
| Housing Style | 4 Bolt Round Flange |



NTK BEARING CORP.OF CANADA LTD.

| | |
|------------------------------------|--|
| | Cartridge |
| Rolling Element | Ball Bearing |
| Housing Material | Cast Iron |
| Expansion / Non-expansion | Non-expansion |
| Mounting Bolts | 14 Millimeter |
| Relubricatable | Yes |
| Insert Part Number | GE50KRRB |
| Seals | Double Land Riding Rubber Contact |
| Housing Configuration | 1 Piece Solid |
| Pilot Configuration | With Pilot |
| Inch - Metric | Metric |
| Long Description | 4 Bolt Round Flange Cartridge; 50MM Bore; 135MM Bolt Circle; 95.5MM Bolt Spacing; 1 Piece Solid; Eccentric Collar Mount; Cast Iron; Ball Bearing; 62.7MM Length Thru Bore; Relubricatable; Double Land R |
| Other Features | Single Row Centering Spigot End Cap With Set Screw |
| Category | Flange Block |
| UNSPSC | 31171501 |
| Harmonized Tariff Code | 8483.20.40.40 |
| Noun | Bearing |
| Keyword String | Flanged |
| Manufacturer URL | http://www.ina.com |
| Manufacturer Item Number | RME50N |
| Weight / LBS | 5.579 |
| Bolt Spacing | 3.8 Inch 95.5 Millimeter |
| Bore | 1.969 Inch 50 Millimeter |
| Nominal Bolt Circle Diameter Round | 5.3 Inch 135 Millimeter |



NTK BEARING CORP.OF CANADA LTD.

| | |
|--------------------------|------------------------------|
| Length Thru Bore | 2.469 Inch 62.7 Millimeter |
| Cartridge Pilot Diameter | 4.331 Inch 110 Millimeter |
| Cartridge Pilot Depth | 0.354 Inch 9 Millimeter |