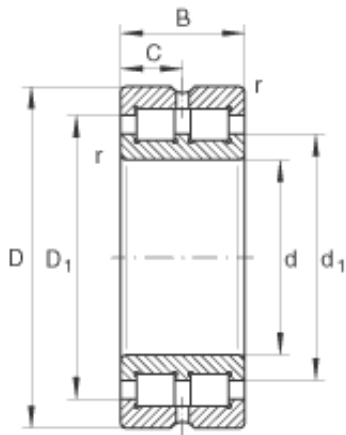




NTK BEARING CORP. OF CANADA LTD.



150 mm x 210 mm x 60 mm INA SL014930 Cylindrical Roller Bearings

Bearing No. SL014930

SL014930 Bearing 2D drawings and 3D CAD models

Size	150x210x60 mm
Bore Diameter	150 mm
Outer Diameter	210 mm
Width	60 mm
d	150 mm
D	210 mm
B	60 mm
C	30 mm
D ₁	187,2 mm
d ₁	171,8 mm
r _{min}	2 mm
	NNC4930V / Designation to DIN 5412
m	6,65 kg / Weight
C _r	410000 N / Dynamic load rating (radial)
C _{0r}	820000 N / Static load rating (radial)
C _{ur}	104000 N / Fatigue limit load, radial
n _G	1790 1/min / Limiting speed
Category	Cylindrical Roller Bearings
Inventory	0.0
Manufacturer Name	SCHAEFFLER GROUP
Minimum Buy Quantity	N/A
Weight / Kilogram	7.97



NTK BEARING CORP. OF CANADA LTD.

EAN	4047643174930
Product Group	B04144
Bore Profile	Straight
Cage Material	None
Precision Class	RBEC 1 ISO P0
Number of Rows of Rollers	Double Row
Separable	No
Rolling Element	Cylindrical Roller Bearing
Profile	Complete with Outer and Inner Ring
Snap Ring	No
Internal Clearance	C0-Medium
Retainer	No
Relubricatable	Yes
Inch - Metric	Metric
Other Features	Full Complement 3 Rib Inner Ring 2 Rib Outer Ring Operating Temperature From -30 to 120 Deg
Long Description	150MM Bore; Straight Bore Profile; 210MM Outside Diameter; 60MM Width; RBEC 1 ISO P0; Double Row; Not Separable; No Snap Ring; Relubricatable; C0-Medium Internal Clearance; No Retainer
Category	Cylindrical Roller Bearing
UNSPSC	31171547
Harmonized Tariff Code	8482.50.00.00
Noun	Bearing
Manufacturer URL	http://www.ina.com
Manufacturer Item Number	SL014930
Weight / LBS	17.556
Width	2.362 Inch 60 Millimeter



NTK BEARING CORP.OF CANADA LTD.

Outside Diameter	8.268 Inch 210 Millimeter
Bore	5.906 Inch 150 Millimeter