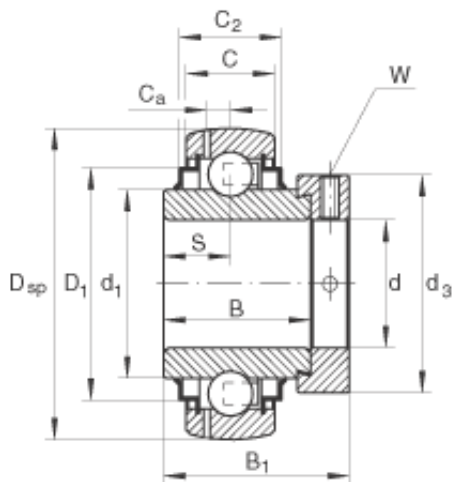




# NTK BEARING CORP. OF CANADA LTD.



## INA GE75-KRR-B Ball Insert Bearings

Bearing No. GE75-KRR-B

Size	75x130x67 mm
Bore Diameter	75 mm
Outer Diameter	130 mm
Width	67 mm
d	75 mm
D <sub>SP</sub>	130 mm
B <sub>1</sub>	67 mm
B	49,5 mm
C	28 mm
C <sub>2</sub>	30,5 mm
C <sub>a</sub>	8,5 mm
D <sub>1</sub>	113 mm
d <sub>1</sub>	90 mm
d <sub>3 max</sub>	100 mm
S	21,5 mm
W	6 mm
m	2,14 kg / Weight
C <sub>r</sub>	66000 N / Dynamic load rating (radial)
C <sub>0r</sub>	44500 N / Static load rating (radial)
Category	Insert Bearings Spherical OD
Inventory	0.0
Manufacturer Name	SCHAEFFLER GROUP
Minimum Buy Quantity	N/A

GE75-KRR-B Bearing 2D drawings and 3D CAD models



## NTK BEARING CORP.OF CANADA LTD.

Weight / Kilogram	3.173
EAN	4012802794991
Product Group	M06110
Inner Race Profile	Wide Inner Ring
Outer Race Profile	Spherical
Relubricatable	Yes
Seal Type	Double Land Riding Rubber Contact
Mounting Method	Eccentric Collar
Rolling Element	Ball Bearing
Snap Ring	No
Long Description	75MM Bore; Wide Inner Ring; Ball Bearing; 67.1MM Length Thru Bore; 28MM Outer Race Width; 130MM Outside Diameter; Relubricatable; Double Land Riding Rubber Contact Seal; Eccentric Collar Mounting Meth
Inch - Metric	Metric
Other Features	Single Row   With Set Screw   Metric
Category	Insert Bearings
UNSPSC	31171536
Harmonized Tariff Code	8482.10.50.00
Noun	Bearing
Keyword String	Insert
Manufacturer URL	<a href="http://www.ina.com">http://www.ina.com</a>
Manufacturer Item Number	GE75KRRB
Weight / LBS	5.84
Outside Diameter	5.118 Inch   130 Millimeter
Outer Race Width	1.102 Inch   28 Millimeter
Bore	2.953 Inch   75 Millimeter
Length Thru Bore	2.642 Inch   67.1 Millimeter



# NTK BEARING CORP.OF CANADA LTD.