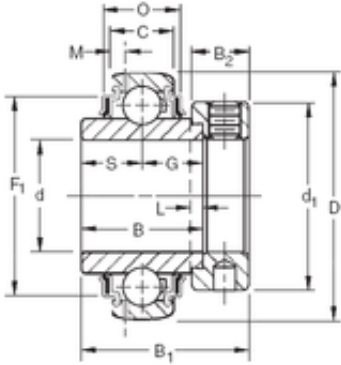




NTK BEARING CORP. OF CANADA LTD.

100,0125 mm x 215 mm x 100,01 mm Timken GN315KRRB Ball Insert Bearings



Bearing No. GN315KRRB

Size	100.0125x215x100.01 mm
Bore Diameter	100,0125 mm
Outer Diameter	215 mm
Width	100,01 mm
d	100,0125 mm
D	215 mm
B	100,01 mm
C	49 mm
P	59,36 mm
O	182,85 mm
d1	146,1 mm
B1	7,82 mm
B2	36,5 mm
G	50 mm
L	7,9 mm
S	50 mm
F1	129,6 mm
Weight	12,233 Kg
Basic dynamic load rating (C)	193 kN

GN315KRRB Bearing 2D drawings and 3D CAD models